

# Vehicle Practice

Reference:	Revision:
VP 03 17	2.1
Page: 1 of 5	
Date:	
Revised: 2003 10 17	

## FIRE EXTINGUISHERS, FIRST AID KIT AND HAZARD WARNING KITS, STANDARDS FOR VEHICLES

Practice:

### 1.0 INTRODUCTION

- 1.1 The attached Appendix I (Fire Extinguishers), Appendix II (First Aid Kits) and Appendix III (Hazard Warning Kits) give standard locations and sizes applicable to the various classes of vehicles.
- 1.2 The standard is required so employees will react effectively during emergencies by not having to search for an extinguisher or first aid kit.

### 2.0 CHANGING-OVER TO THE STANDARD

- 2.1 New vehicles commissioned shall be equipped to the standard.
- 2.2 Existing in-service vehicles are to be checked when "A & B" Services are done to ensure extinguishers, first aid kits and hazard warning kits are in good condition and mounted or located in acceptable locations. An example of an acceptable location on an existing vehicle is:

A fire extinguisher mounted on right-hand side of ½ ton truck transmission hump showing no abuse or damage or causing no obstruction to personnel using the unit.

If the fire extinguisher or first aid kit on an existing vehicle are not acceptably mounted, then mount them to the standard.

- 2.3 All commercial vehicles (in excess of 4500 kgs.) must be equipped to the standard.
- 2.4 All lease transportation vehicles must be equipped top the standard.
- 2.5 Term rentals will be equipped to the standard at the descretion of the supervisor.

Revised by: D. West

Approved by: D.J. Baur

*Fleet Services*



Reference: VP 03 17	Revision: 2.1	<b>FIRE EXTINGUISHERS, FIRST AID KIT AND HAZARD WARNING KITS, STANDARDS FOR VEHICLES</b>
Page: 2 of 5		
Date: Revised: 2003 10 17		

## APPENDIX I

### STANDARD FIRE EXTINGUISHERS & MOUNTINGS

Vehicle Class	Type of Vehicle(s)	Extinguisher Description ABC Class Pressurized Type	Extinguisher Cat. No. (New or Recharged)*	Vehicle Type Mounting Bracket Cat. No.(s)	Mounting Location
1	Sub-compact car and station wagon	2½#	02-18-100	Included with extinguisher	Between bucket seats. Length or Crosswise and the trunk as an alternate.
	Compact car and station wagon	2½#	02-18-100	Included with extinguisher	Top of transmission hump or trunk as an alternate.
2	Compact truck	2½#	02-18-100	Included with extinguisher	Behind driver's seat
	½ & ¾ ton pick-up trucks	2½#	02-18-100	Included with extinguisher	Mounted crosswire under forward edge of seat on passenger side
	Vans	2½#	02-18-100	Included with extinguisher	Immediately behind or attached to cargo barrier behind driver's seat preferred height 30"
3	1 ton with service or line body	2½#	02-18-100	Included with extinguisher	Mounted crosswire under forward edge of seat on passenger side
4 & 5	Truck chassis with line body	10#	02-18-020	Bracket Cat. #02-18-010 (Ref. Sketch #1)	Outside and fastened to front bulkhead of line body or headboard immediately behind driver's door. (Alternate location if bulkhead is not useable is left hand rear semi-vertical jack)
6	Truck chassis & platform body	10#	02-18-020	Bracket Cat. #02-18-010 (Ref. Sketch #1)	Outside and fastened to headboard behind driver's door
7	Bombardiers & muskegs	10#	02-18-020	Bracket Cat. #02-18-010	Mounted in cab within driver's reach, preferably hung on rear wall of cab

\*Fire extinguishers that require maintenance/charging are to be returned to Central Stores. Stores will arrange maintenance/charging and return the serviceable extinguishers to stock under Cat. #02-18-020.

Reference:

VP 03 17

Revision:

2.1

Page:

3 of 5

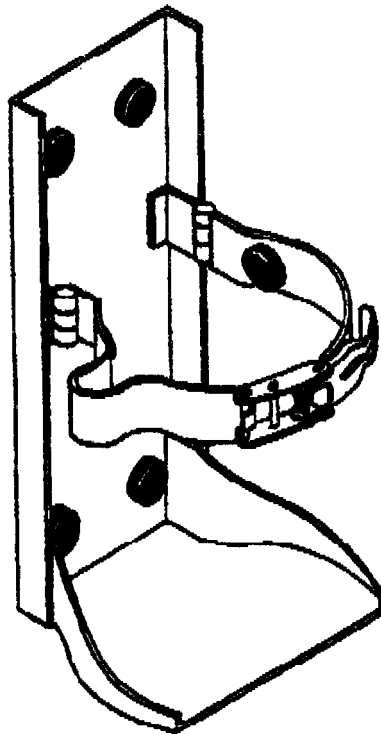
Date:

Revised:

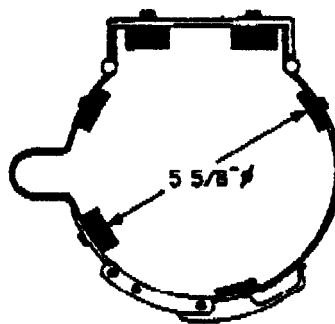
2003 10 17

**FIRE EXTINGUISHERS, FIRST AID KIT AND HAZARD  
WARNING KITS, STANDARDS FOR VEHICLES**

**SKETCH #1  
FIRE EXTINGUISHER BRACKET CAT. NO. 02-18-010  
APPENDIX I**



**Perspective View**



**Top View**

Reference: VP 03 17	Revision: 2.1	<b>FIRE EXTINGUISHERS, FIRST AID KIT AND HAZARD WARNING KITS, STANDARDS FOR VEHICLES</b>
Page: 4 of 5		
Date: Revised: 2003 10 17		

## APPENDIX II

### STANDARD FIRST AID KITS & MOUNTINGS

Vehicle Class	Type of Vehicle(s)	First Aid Kit Description	Cat. # of Kit	Mounting Method & Location (Left & Right Refer to Driver's Left or Right)
1	Sub-compact cars and wagons	N.S. Kit #2	02-27-444	Hung* to a vertical panel on the right side of the cargo area
	Compact cars	N.S. Kit #2	02-27-444	Stored in forward right side of truck compt.
	Compact station wagon	N.S. Kit #2	02-27-444	Wedged into moulded window ledge storage bin at rear of vehicle
2	Compact pick-up truck	N.S. Kit #2	02-27-444	Hung on rear cab wall between bucket seat or back of tilting bench seat behind passenger
	½ Ton pick-up truck	N.S. Kit #2	02-27-444	Hung behind tilting type seat on passenger side.
	Vans	N.S. Kit #2	02-27-444	Hung on load barrier behind passenger seat
3	1 Ton with line body	N.S. Kit #2	02-27-444	Hung behind tilting type seat on passenger side.
4,5 & 6	Truck with line body or platform body	N.S. Kit #2	02-27-444	Hung behind tilting type seat on passenger side
7	Bombardier, other musket and off road tractors	N.S. Kit #2	02-27-444	Hung on rear wall of cab, passenger side

\*Hung mountings have to permit emergency removal of complete kit. Hung mountings are preferred.

Reference: VP 03 17	Revision: 2.1	<b>FIRE EXTINGUISHERS, FIRST AID KIT AND HAZARD WARNING KITS, STANDARDS FOR VEHICLES</b>
Page: 5 of 5		
Date: Revised: 2003 10 17		

### APPENDIX III

#### STANDARD HAZARD WARNING KITS

<b>Vehicle Class</b>	<b>Type of Vehicle</b>	<b>Hazard Warning Kit Cat. No.</b>	<b>Location</b>
3	1 Ton with service or line body	02 72 1500	Left front compartment
4 & 5	Truck chassis with line body	02 72 1500	Left front compartment
6	Truck chassis with platform body	02 72 1500	Behind drivers seat

