

Vehicle Practice

| | |
|------------------------|------------------|
| Reference: VP 03 18 | Revision: 2.1 |
| Page: 1 of 11 | |
| Date: | |
| Revised: 2004 02 25 | |

LIGHTING STANDARDS FOR VEHICLES

Practice:

1.0 INTRODUCTION

This standard gives the type, quantity and mounting location for remote spot, manual spot, back-up, revolving lamp, compartment interior lamps, and boom stow light for Class 2 to 6 vehicles. It also includes a wiring diagram showing circuits, breakers, wire sizes, and related equipment.

2.0 USE OF LIGHTING STANDARD

Newly commissioned vehicles and in-service vehicles are to be equipped to this standard.

Notes to Vehicle Configuration Figures

Pg.5 of 11, Figure #1, item 3 should read, "2 back up lamps, rear corners".

Pg.5 of 11, Figure #2, item 1 & 2, delete "(special approval)"

Pg.6 of 11, Figure #3, item 3 should read, "2 manual spot lamps". There are also two revolving lights, one on the front of the ladder rack and one on the rear.

Pg.6 of 11, Figure #4, item 3 should read, "3 manual spot lamps".

Revised by: D. West

Approved by: G. Matthews

Fleet Services



| | | |
|------------------------------|------------------|--|
| Reference: VP 03 18 | Revision: 2.1 | LIGHTING STANDARDS FOR VEHICLES |
| Page: 2 of 11 | | |
| Date: Revised: 2004 02 25 | | |

| Vehicle Class | Type of Vehicles(s) | Qty. of Lamps | Lamp Description | Mounting Location | Fig. Ref. |
|--------------------------|---|---------------|---|---|-------------------|
| REMOTE SPOT LAMPS | | | | | |
| 2 | Compact and full size pick-up trucks - normally only units used for night troubling shooting - each installation to be approved by Superintendent | 1 | Remote control spot/flood DA#72-3537 (Cat. #77-08-9260) | Right front corner of hood | 2 |
| 3, 4, 5 | One ton service or line trucks, aerial device and digger/derrick trucks | 1 | As Above | Right front corner of hood | 1, 2, 3, 4, 5 & 6 |
| 6 | Crane trucks with platform bodies - each installation to be approved by Superintendent | 1 | As Above | Right front corner of hood | 5 |
| BOOM STOW LIGHT | | | | | |
| 4, 5 & 6 | Aerial device digger/derricks and crane trucks | 1 | Boom Switch 77-65-0200 | Boom rest | 4, 5 & 6 |
| | | 1 | Light Decal (Boom Stow) 02-72-3270 | Dash Mounted | |
| REVOLVING LAMPS | | | | | |
| 2 | Pick-up trucks | 1 | Dual revolving lamp T.T. #415011 77-08-3880 | Center of cab roof or post mounted to street-side of pick-up box | 2 |
| 2 | Vans, on request only | 1 | Dual revolving lamp T.T. #415011 77-08-3880 | Street side, rear | No. Fig. |
| 3 | Hi-Cube vans or chassis-cab van bodied trucks as required | 1 | Dual revolving light T.T. #415011 77-08-3880 | Street side, rear corner of van body | 1 |
| 3 | Service truck with line type body | 1 | Dual revolving light T.T. #415011 77-08-3880 | Mounted Street side, rear corner of body, either on a bracket or directly on the body | 1 |
| 3 | Service trucks with open style bodies | 1 | Dual revolving light T.T. 415011 77-08-3880 | Mounted Street side, rear corner of body, either on a bracket or directly on the body | 1 |
| 4 | Light, medium and heavy duty aerial devices. | 2 | Dual revolving light T.T. #415011 77-08-3880 | Front and rear street side corner (see Notes on Fig. 3 re location) | 3 |

| | | |
|------------------------|------------------|--|
| Reference: VP 03 18 | Revision: 2.1 | LIGHTING STANDARDS FOR VEHICLES |
| Page: 3 of 11 | | |
| Date: | | |
| Revised: 2004 02 25 | | |

| Vehicle Class | Type of Vehicles(s) | Qty. of Lamps | Lamp Description | Mounting Location | Fig. Ref. |
|---------------------------------|--|---------------|---|---|-----------|
| REVOLVING LAMPS (Cont'd) | | | | | |
| 5 | All corner and centre mounted digger/derrick type trucks with line bodies. | 2 | Dual revolving light T.T. #415011 77-08-3880 | Street side, front and rear corner of line body | 4 |
| 5 | Centre mounted digger/derrick and corner mounted type trucks with platform bodies | 2 | Dual revolving light T.T. #415011 77-08-3880 | Street and curb side of cab, bar or bracket mounted | 5 |
| 6 | Crane trucks with platform bodies- each installation requires approval of Superintendent | 2 | Dual revolving light T.T. #415011 | Street and curb side of cab, bar or bracket mounted | 5 |
| REAR MOUNTED SPOT LAMPS | | | | | |
| 3 | Service truck with open style body | 1 | Unity AG12 spot lamp (Cat. #77-08-9250) | Rear left-hand corner of service body | No Fig. |
| 4 | Aerial device trucks | 2 | Unity AG12 spot lamp (Cat. #77-08-9250) | Curb side of boom rest and rear curb side of line body | 3 |
| 5 | Corner mounted digger/derrick with line body, cross box or platform body | 1 | Unity AG12 spot lamp (Cat. #77-08-9250) | Center of boom rest and rear street side of body | 4 |
| | | 1 | Unity AG12 spot lamp (Cat. #77-08-9250) | Derrick tower immediately above operator's control at edge so light will shine on any digging position. | 4 |
| 5 & 6 | Centre mounted digger/derrick trucks with line body or platform bodies | 2 | Unity AG12 spot lamp (Cat. #77-08-9250) | Rear of derrick tower (1 each side) or head board | 5 |
| 5 & 6 | Rear centre mounted digger/derrick with line body of platform bodies | 2 | Unity AG12 spot lamp (Cat. #77-08-9250) | Rear of derrick tower (1 each side) | 6 |
| 3, 4 & 5 | Service & line body equipped trucks | - | Dom. Auto #72-2802 (Cat. #77-08-5360) or strip lighting | 1 lamp per horz. and vertical compartments, or strip around each inside door till | 7 |
| 3 | Service truck with closed type body | 1 | Dom. Auto #72-2802 (Cat. #77-08-5360) Dome lamp | Inside super-structure and mounted to the left hand side 24" from corner | 8 |

| | | |
|------------------------------|------------------|--|
| Reference: VP 03 18 | Revision: 2.1 | LIGHTING STANDARDS FOR VEHICLES |
| Page: 4 of 11 | | |
| Date: Revised: 2004 02 25 | | |

| BACK UP LAMPS | | | | | |
|----------------------|--|---|--|--|----------------|
| 3 | Service & line body equipped trucks | 2 | Dom. Auto #72-5040 (Cat. #77-08-5520) | Rear, each side, low mounted, directed towards ground | No Fig. |
| 4, 5 & 6 | Service, line and platform body equipped trucks | 2 | Dom. Auto #72-5040 (Cat. #77-08-5520) | Rear, 1 each side, low mounted, directed towards ground | 3, 4, 5 & 6 |

NOTES:

A)

| | |
|------------------------|------------------|
| Reference: VP 03 18 | Revision: 2.1 |
| Page: 5 of 11 | |
| Date: | |
| Revised: 2004 02 25 | |

LIGHTING STANDARDS FOR VEHICLES

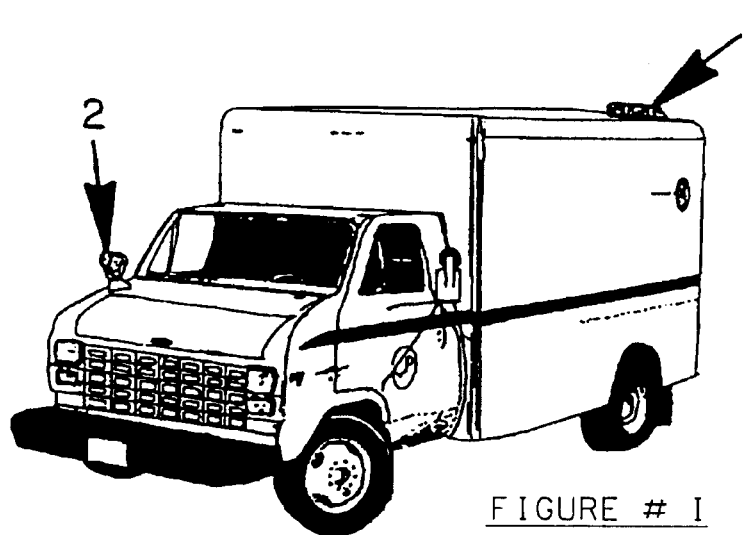


FIGURE # 1

- CLASS 3 SERVICE & HIGH CUBE
- 1 - 1 dual revolving lamp
street side rear corner
 - 2 - 1 remote spot lamp
 - 3 - 1 back up lamp curb side

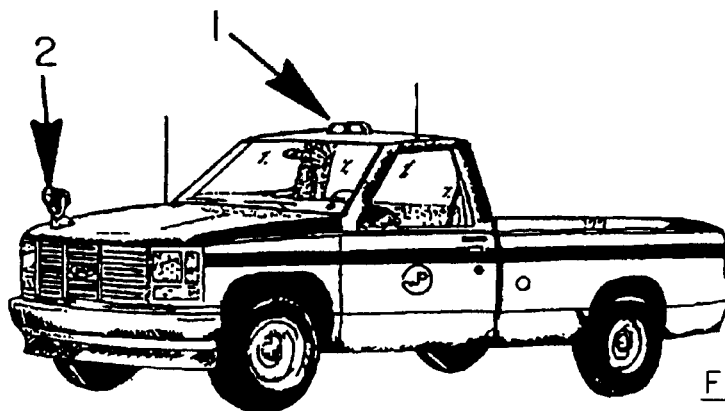
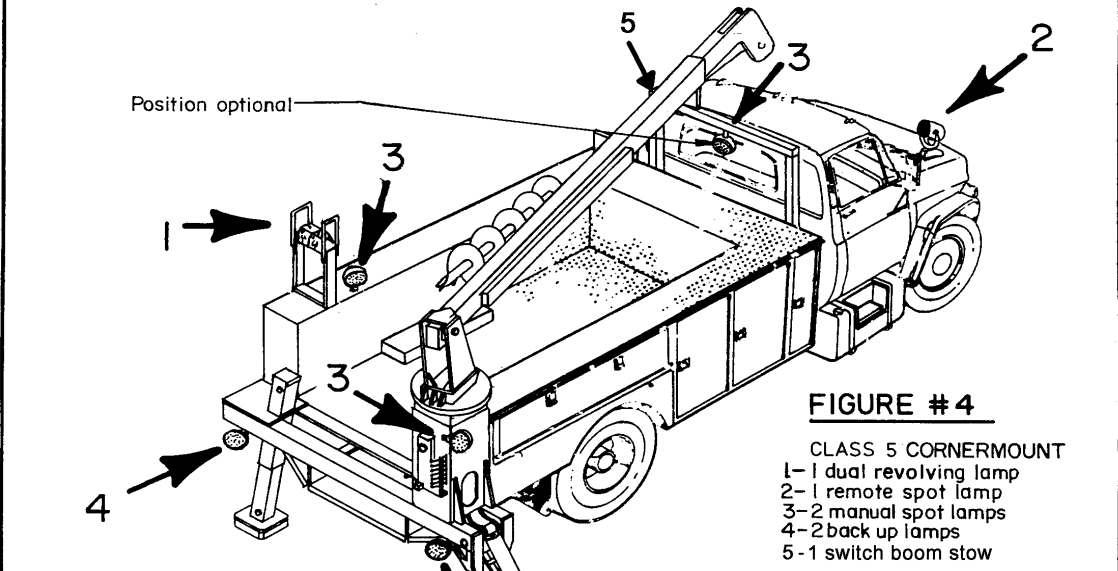
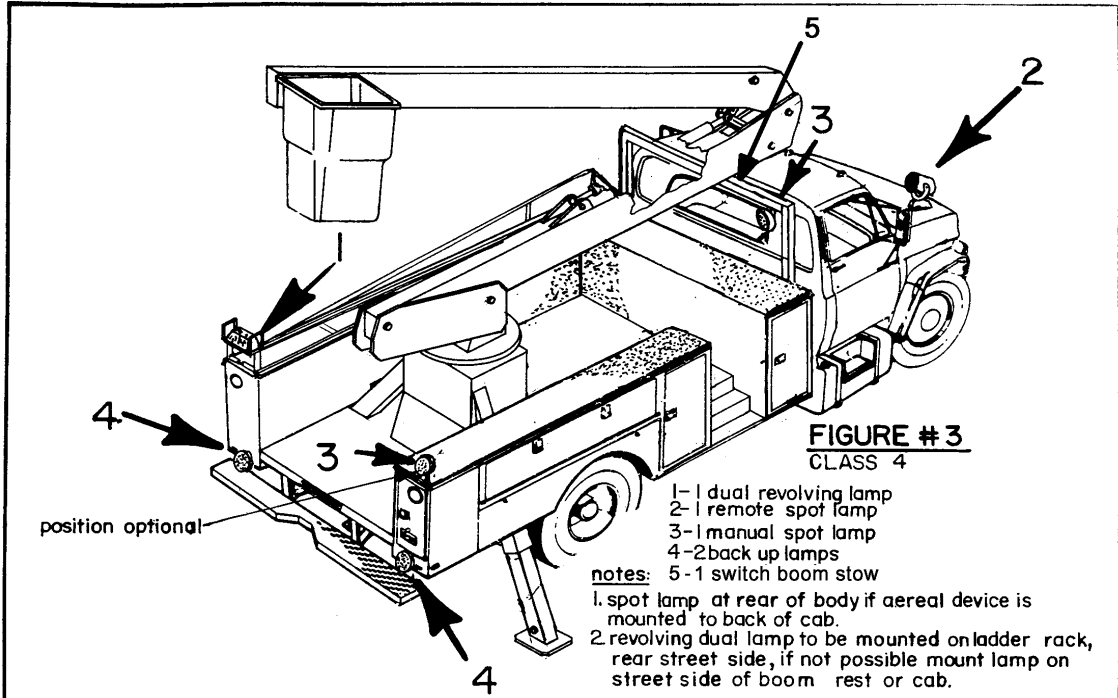


FIGURE # 2

- CLASS 2
- 1 - 1 Dual revolving lamp
(special approval)
 - 2 - 1 remote spot lamp
(special approval)

| | |
|------------------------|------------------|
| Reference: VP 03 18 | Revision: 2.1 |
| Page: 6 of 11 | |
| Date: | |
| Revised: 2004 02 25 | |

LIGHTING STANDARDS FOR VEHICLES



| | | |
|--------------------------------------|------------------|------------|
| nova scotia power corporation | | |
| HALIFAX, NOVA SCOTIA | | |
| DRAWN: D.McFACHREN | DATE: 1990-08-02 | CHECKED: |
| VEHICLE LAMP LOCATIONS | | |
| D-001R-5-300-00-024 | | ISSUE 1 |

DWG. NO.

| | |
|------------------------|------------------|
| Reference: VP 03 18 | Revision: 2.1 |
| Page: 7 of 11 | |
| Date: | |
| Revised: 2004 02 25 | |

LIGHTING STANDARDS FOR VEHICLES

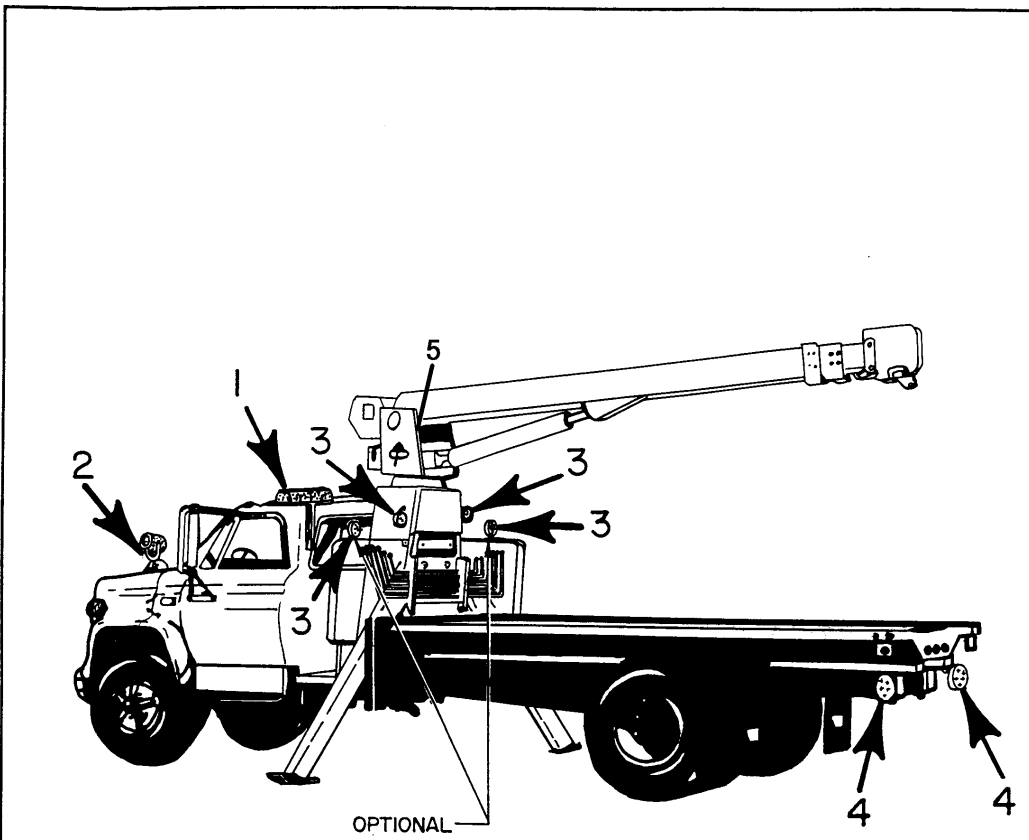


FIGURE # 5

CLASS 5 & 6 DIGGER /DERRICK WITH PLATFORM BODY

- 1- 1 dual revolving lamp, bar or bracket mounted
- 2- 1 remote spot lamp
- 3- 2 manual spot lamps
- 4- 2 back up lamps
- 5- 1 switch boom stow

| | | |
|--------------------------------------|---------|----------------------------------|
| nova scotia power corporation | | |
| <small>HALIFAX, NOVA SCOTIA</small> | | |
| TRANSPORTATION DEPT. | | |
| T/D DIVISION | | |
| DRAWN D.R.M. | CHECKED | DATE 91/02/04 |
| APPROVED | | VEHICLE LAMP LOCATION |
| TITLE | | |
| | | D 00IR 5 300 00 137 |
| | | <small>ISSUE</small> |

DWG. NO.

| | |
|------------------------|------------------|
| Reference: VP 03 18 | Revision: 2.1 |
| Page: 8 of 11 | |
| Date: | |
| Revised: 2004 02 25 | |

LIGHTING STANDARDS FOR VEHICLES

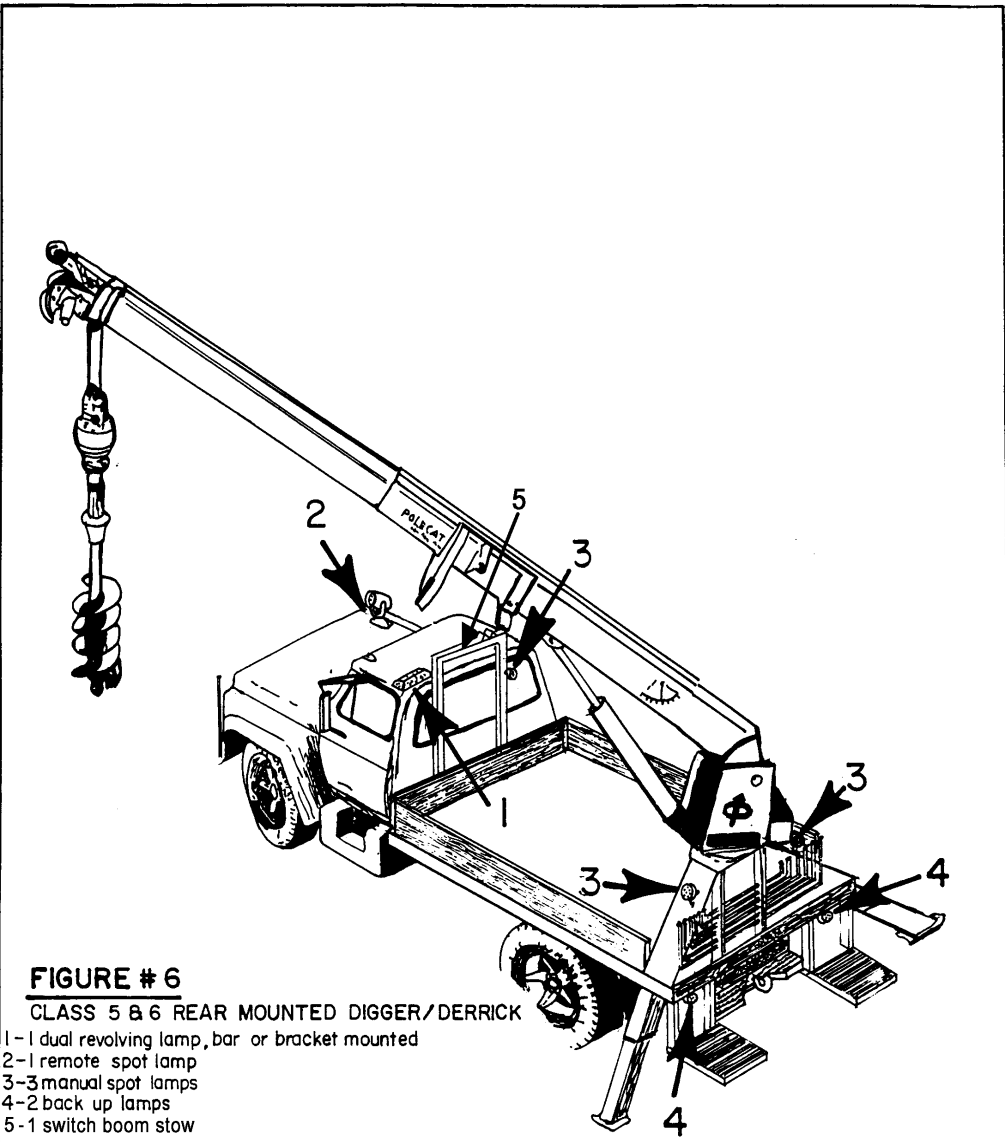



FIGURE # 6
CLASS 5 & 6 REAR MOUNTED DIGGER/DERRICK
 1- 1 dual revolving lamp, bar or bracket mounted
 2- 1 remote spot lamp
 3- 3 manual spot lamps
 4- 2 back up lamps
 5- 1 switch boom stow

| | | |
|--|---------------|--|
| nova scotia power corporation  HALIFAX, NOVA SCOTIA | | |
| TRANSPORTATION DEPT. T/D DIVISION | | |
| DRAWN DR.M. APPROVED TITLE | CHECKED | DATE 9/02/04 VEHICLE LAMP LOCATION DOOIR 5 300 00 138 DWG. NO. |
| | | ISSUE |

| | |
|------------------------|------------------|
| Reference: VP 03 18 | Revision: 2.1 |
| Page: 9 of 11 | |
| Date: | |
| Revised: 2004 02 25 | |

LIGHTING STANDARDS FOR VEHICLES

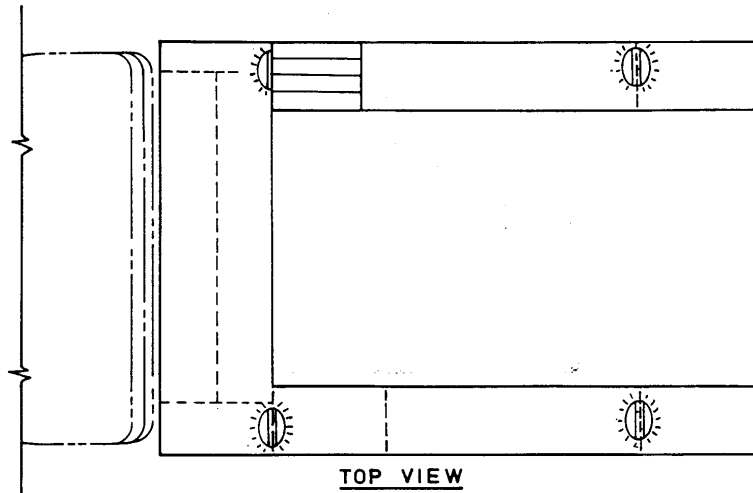
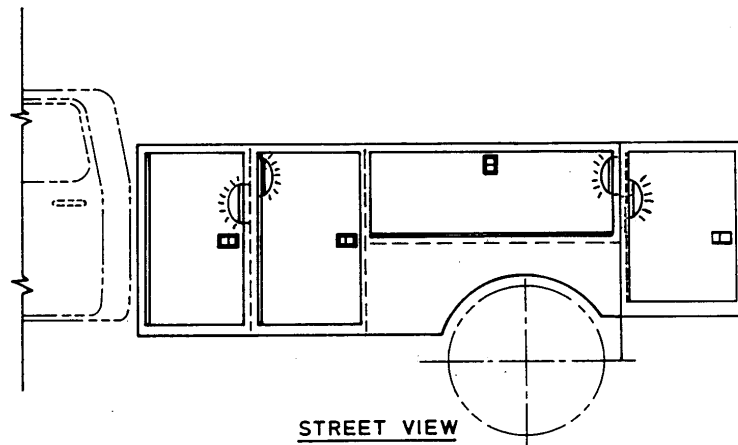


FIGURE #7

CLASS 3, 4 & 5
(Line Body)



NOTE:
If shelf interference limits side wall compartment lamp mounting, it may be necessary to top mount lamp.

| | | |
|--|------------------|----------|
| nova scotia power corporation | | |
| HALIFAX, NOVA SCOTIA | | |
| DRAWN: D.McEACHREN | DATE: 1990-08-02 | CHECKED: |
| VEHICLE (CLASS 3, 4 & 5) LAMP LOCATIONS | | |
| D - 001R - 5 - 300 - 00 - 036 | | ISSUE |

DWG. NO.

Reference:

VP 03 18

Revision:

2.1

Page:

10 of 11

LIGHTING STANDARDS FOR VEHICLES

Date:

Revised:

2004 02 25

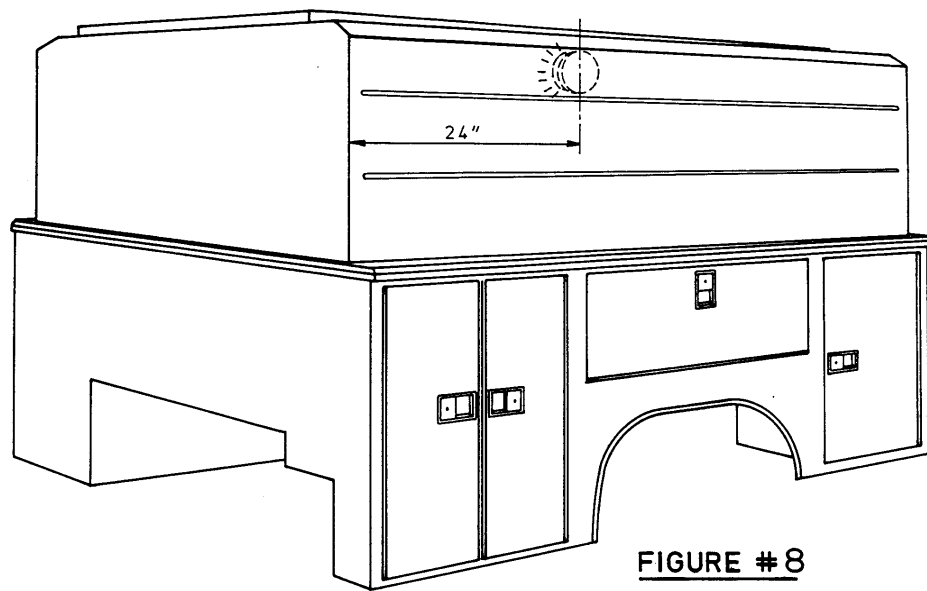


FIGURE #8

CLASS 3
(Service Body)
1 dome lamp in superstructure

nova scotia power corporation
HALIFAX, NOVA SCOTIA



DRAWN: R. Parker | DATE: 84/07/10 | CHECKED:

VEHICLE LAMP LOCATIONS

D - 001R - 5 - 300 - 00 - 035

ISSUE

DWG. NO.

